

Gas Burner Safety Control

For 2-stage forced draught and combi oil/gas burners, facility to connect an air damper unit

Possible flame detectors:

- Ionisation probe
- Infrared flicker detector 1020
- UV flame sensor UVD 971

INTRODUCTION

The burner control box DMG 972 controls and supervises power burner for gas and dual fuel. The control box is approved and certified according the relevant European standards. The use on direct air heaters according DIN 4794 is also possible.

With the facility to connect an air damper unit, a 2 stage operation with two fuel valves or a modulating operation with one fuel valve is possible.

The microprocessor- based programming sequence ensures extremely stable timings independent of voltage variations, ambient temperature and/or switch-on cycles. The built-in information system not only provides a continuous monitoring of the actual state of the box (very helpful especially for monitoring the start-up phase) but also informs about the cause of a possible lock out. The lock out cause is stored in such a way that it can be retrieved even after a power failure.

The control box is designed for maximum safety in case of fluctuations in the voltage supply. If the mains voltage drops below the permitted level, operation is interrupted and the control box automatically prevents the start sequence from being repeated. In this way, the safety of the system is not put at risk by a drop in the mains voltage. This low-voltage protection works not only during start-up but also permanently during operation.

CONSTRUCTIONAL FEATURES

Microprocessor, electronic components, output relais and flame amplifier are placed on two printed circuit boards. These plus the lockout- and reset circuit are well protected inside a flame resistant, plug-in type plastic housing.

The reset switch for reset / remote lockout with its built-in LED for displaying the information system plus the central fixing screw are placed on top of the housing.

The wiring base S98 is equipped with spare- and extraterminals and allows together with a variety of cable entry points utmost flexibility of electrical wiring.

The DMG 972 is functionally compatible to MMI 812, MMI 812.1, MMI 962 and MMI 962.1


 Is the DMG 972 to be used to replace the MMI 812, 812.1, MMI 962 or MMI 962.1 care has to be taken to make sure the air proving switch (LW) is wired between terminals 4 and 7 and not like on the MMI between 5 and 7.

Table of timings (sec.)

| Model | max. reaction time for air proving switch tlw | supervised pre-purge time tv1 | pre-ignition time tvz | LK-open command during pre-purge tkl | LK-close movement tr | post-ignition time tn | Stray light monitoring tf | safety time ts | delay terminal 6/C tv2 |
|-----------|---|---|---------------------------------|--|--------------------------------|---------------------------------|-------------------------------------|--------------------------|----------------------------------|
| 01 | 60 | 54 | 3 | 40 | 14 | 2 | 5 | 3 | 8 |



TECHNICAL DATA

| | |
|-------------------------------|---------------------------|
| Operating voltage | 220 / 240 V (-15... +10%) |
| or | 50 Hz (±5%) |
| | 110 / 120 V (-15... +10%) |
| | 60 Hz (±5%) |
| Fuse rating | 10 A fast, 6 A slow |
| Power consumption | ca. 12 VA |
| Max. load per output | |
| - term. 3 ignition trafo | 1.5 A, cos φ 0.2 |
| - term. 4 motor | 2.0 A, cos φ 0.4 |
| - term. 5 + 6 solenoid valves | 1.0 A, cos φ 0.4 |
| - term. C air damper | 1.0 A, cos φ 0.4 |
| - term. B alarm indicator | 1.0 A, cos φ 0.4 |
| total load | 5.0 A, cos φ 0.4 |
| | max. 20 A during 0.5 sec |

Direct lockout after a loss-of-flame during operation

| | |
|--|---|
| Air proving switch | 1 working contact 4 A, 230V |
| Sensitivity (operation) | 1 µA |
| Min. required ion. current | 1.5 µA |
| Sensitivity for stray light | 0.4µA |
| Ionisation probe insulation | Probe - earth greater than 50 MΩ |
| stray capacity | Probe - earth less than 1000 pF |
| cable lenght | < 3 m |
| Flame detectors | |
| IRD 1020 | side-on or end-on viewing |
| UVD 971 | end-on viewing |
| Weight incl. Wiring base | 190 g |
| Mounting position | any |
| Protection class | IP 40 |
| Approved ambient parameter for control and flame detector | max. 95% at 30° C |
| - for operation | -20° C... +60° C |
| - for storage | -20° C... +80° C |
| Build-up of ice, penetration of water and condensing water are | inadmissible |
| Approvals according to European standards | EN 298 and EN 230, as well as all other relevant Directives and standards |
| Classified acc. to EN 298 | FLLXN |

APPLICATION FEATURES

1. Information system

The information system is microprocessor based and reports on all aspects of burner control box operation and flame supervision. It informs continuously about the actual programming sequence the unit is just performing. Besides monitoring of the programming sequence it also allows to identify errors during start-up of operation without any additional testing devices. The automatically performed diagnosis is a valuable tool which facilitates service/maintenance work and therefore saves costs. The analyses of the error cause can be done directly on stage or if not possible afterwards as the lock out reason is stored in a non-volatile lock out mode memory.

The information system communicates with the outside world using a LED (the used Flash-Code is similar to the Morse-Code). The messages are optically transmitted by an appropriately flashing LED. Using an additional terminal (optional), the messages can be recorded and displayed in easy readable form.

1.1 Programming sequence display

The built-in microprocessor controls not only the programming sequence but the information system too. The individual phases of the programming sequence are displayed as Flash-Code.

The following messages can be distinguished:

| Message | Flash-Code |
|--------------------------------|------------|
| waiting for air proving switch | . |
| pre-purge tv1 | . |
| pre-ignition tvz | . |
| safety time ts | ■ . |
| delay 2nd stage tv2 | ■ . |
| running | _ |
| low mains voltage | ■ ■ _ |
| Internal fuse defect | ■ _ |
| > control box defect | |

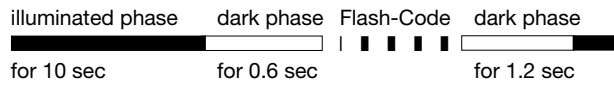
Description

- | = short pulse
- = long pulse
- . = short pause
- _ = long pause

1.2 Lock-out diagnoses

In case of a failure the LED is permanently illuminated. Every 10 seconds the illumination is interrupted by a flash code, which indicates the cause of the error. Therefore the following sequence is performed which is repeated as long as the unit is not reset.

Sequence:



Error diagnosis

| Error message | Flash-Code | Possible fault |
|---------------------------------------|------------|--|
| lock out | ■ ■ ■ ■ | within lock out safety time |
| safety time | | no flame establishment |
| stray light | ■ ■ ■ | stray light during monitored phase, detector may be faulty |
| air proving switch in closed position | ■ ■ | air proving switch contact welded |
| air proving switch time-out | ■ ■ | air proving switch does not close within specified time |
| air proving switch opened | ■ | air proving switch opens during start or operation |
| loss of flame | ■ ■ ■ ■ | loss of flame during operation |

Flash-Code for manual lock out

| | |
|----------------------------------|-----------------|
| anual/external | ■ ■ ■ ■ ■ ■ ■ ■ |
| lock out | |
| (see also 3. lock out and reset) | |

2. Flame detection

The following types of flame detectors are suitable:

- Ionisation probe, temperature resistant material, well insulated (material and insulation same as for ignition electrode).

- Infrared-flicker detector type IRD 1020 with mounting flange M 93 or the UV solid state flame sensor UVD 971.

Flame detection using an ionisation probe is only possible in conjunction with mains supplies which provides a neutral earth connection.

Connecting the IRD 1020 or UVD 971 the correct wiring has to be observed.

2.1 Stray light monitoring

The stray light check is performed at the end of the pre-purge time for the duration as mentioned in the table of timings.

3. Lock out and reset

The unit can be reset or brought into lock out mode in two different ways:

Internal

In the lock out case the unit can be reset by pushing the built-in button meaning a new start-up cycle is performed.

External

Instead of using the built-in lock out button the same function can be achieved by using an external button which connects terminal 9 with A (see also circuit and block diagram).

If the pushbutton (internal or external) is pressed during normal operation or during the start sequence for more than 3 sec. and afterwards released, the control box will perform a shutdown.



Please note

The unit can only be brought to lockout mode or be reset if power is applied to the unit.

4. Low-voltage protection

at 220 / 240V (110 / 120V) nominal voltage

The mains voltage has to be more than $187 V_{\text{eff}}$ ($94 V_{\text{eff}}$) in order to allow the unit to perform a start-up.

The mains voltage is not only monitored in the start-up phase but also permanently during operation. If the voltage drops below $< 160 V_{\text{eff}}$ ($80 V_{\text{eff}}$) during start-up or run time the control box goes into lock out mode. If the voltage rises again, the control box performs automatically a start-up as soon as the mains voltage is $> 187 V_{\text{eff}}$ ($94 V_{\text{eff}}$).

5. Safety

The design and control sequence of the DMG 972 controls will comply with the currently applicable standards and regulations (see also TECHNICAL DATA).

6. Burner with an air damper motor



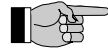
The position of the air damper during pre-purge has to be assured by suitable actions (EN 676, 4.4.1.2).

7. Mounting and electrical wiring

Wiring base:

- 3 earth terminals with additional terminal for burner earthing
- 3 neutral terminals with internal permanent connection to neutral terminal 8
- 2 independant spare terminals (S1 and S2)
- extra terminals A, B and C are standard
- 2 slide-in plates and 2 easy knock out holes plus 2 knock out holes in the base bottom facilitate the base wiring

The digital controls are ideally wired on the new wiring bases S98, which are equipped with (terminals B and C are only for some special types of DMO or DMG) terminal A, which is used for the remote reset / remote lockout functions.



Please note

To assist trouble-free operation the main neutral connection terminal in the wiring base must be fully tightened. The terminal screws are already in the undone position. To connect a wire to the terminal, the screw only needs to be fastened.

General: The control box and detector probes should not be subjected to excessive vibration.

INSTALLATION INSTRUCTIONS AND MAINTENANCE

1. Important notes

- The controls must be installed by qualified personnel only. The relevant national regulations have to be observed.
- On commissioning the wiring has to be carefully checked according the appropriate diagram, Incorrect wiring can damage the unit and endanger the installation.
- The fuse rating has to ensure that the limits specified in TECHNICAL DATA will not be exceeded. If these precautions are not observed, the effect of a short circuit can cause severe damage to the control and installation.
- For safety reasons a minimum of one control shutdown per 24 hours has to be observed.
- Disconnect the mains before the control box is plugged in or out.
- The control box is a safety device and must not be opened!

2. Function control

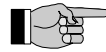
For safety reasons the flame detection system should be tested on commissioning the installation as well as after a service or longer shut-down.

- Start-up with closed gas valve
 - After lock out safety time is over the unit has to go into lock out mode!
- Normal start-up, when burner is running, close gas valve
 - After loss of flame, the control box has to go into lockout mode
- Normal start-up, during pre-purge or operation, interrupt the air proving switch
 - The control box has to perform a lockout immediatly
- Bridged air proving switch before start
 - the fan motor switches on for approx. 2 - 3 secs, followed by a lockout. After 10 secs., this quick lockout is resetted by the control box and a second start attempt follows (fan motor switches on for approx. 2 - 3 secs.). A standard lockout appears if the air proving switch (LW) contact is still in it's closed position (e.g. welded contacts). Has the air proving switch (LW) changed to it's open position in the meantime (e.g. by a run down motor), a normal start sequence follows.

3. Fault finding

The built-in information system facilitates the trouble shooting in the case of problems occurring during start-up or during operation.

A list of possible lock out messages can be found in APPLICATION FEATURES chapter 1.2.



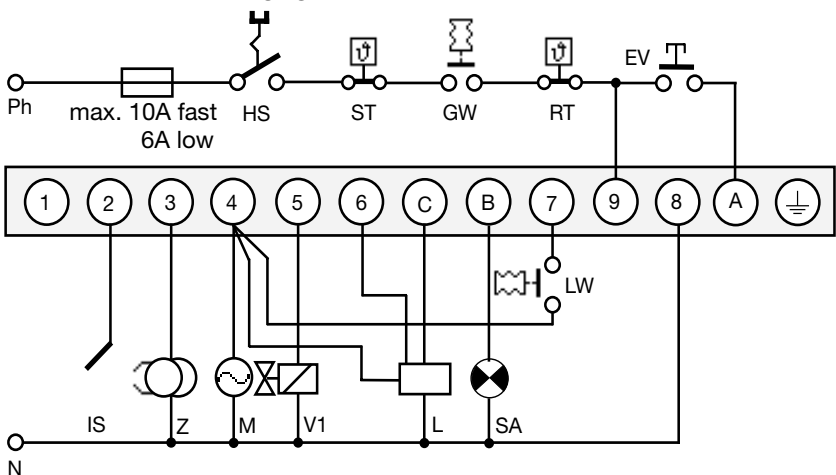
Please note:

The control box is locked in lock out mode and the reason for the lock out is displayed until the control box is reset, either by an internal or external reset (see also subject "3. Lock out and reset").

Removing the control box from its wiring base or by interrupting the supply line may **not** reset a lock out. Therefore, by applying power, the fan motor switches on for 2-3 secs. before the control box goes to lock out again and the cause of the last lock out.

| Error | Possible fault |
|---|---|
| Burner not working | - Thermostat circuit open - Faulty electrical wiring - mains voltage < 187 V (< 80 V) - Terminal A continuously on power (e.g. terminal A is used as a support terminal) |
| Fan motor starts for a short period of time, control box goes to lock out | - Control box has not been reset - Air proving switch not in open position |
| Control box locks out during pre-purge | - Air proving switch open |
| Control box locks out at the end of pre-purge | - Air proving switch open - Flame signal |
| Burner starts, flame not established, lock out | - No ignition or no fuel |
| Burner starts, flame established, after safety time, lock out | - No or too low flame signal (flame does not stick, bad insulation of the ionisation probe, bad connection to frame ground) - Insufficient light on IRD - Sensitivity adjustment too low on IRD |

**CIRCUIT AND TIMING DIAGRAM DMG 972
WITH AIR DAMPER MOTOR**



- HS Mains switch
- GW Gas proving switch
- ST Limit thermostat
- RT Control thermostat
- EV External reset and lock out button
- IS Ionisation probe (IRD 1010, UVD 970 see separate diagram)

- Z Ignition
- M Burner motor
- V1 Solenoid valve, 1st-stage
- V2 Solenoid valve, 2nd-stage
- LW Air proving switch
- SA External lock out signal
- L Air damper motor

tlw max. reaction time for air proving switch

tv1 Supervised pre-purge time

tlk LK-open command during pre-purge

tr LK-close movement

tf Stray light monitoring

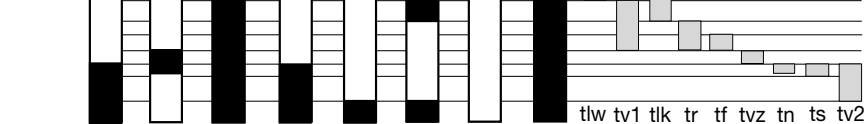
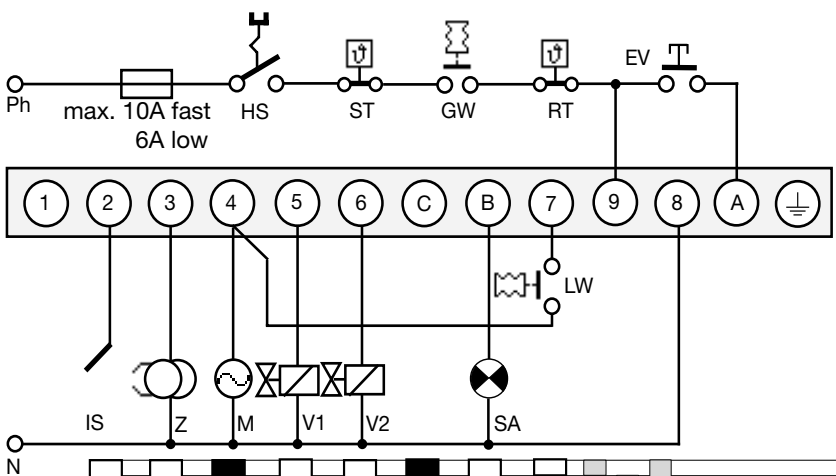
tvz Pre-ignition time

tn Post-ignition time

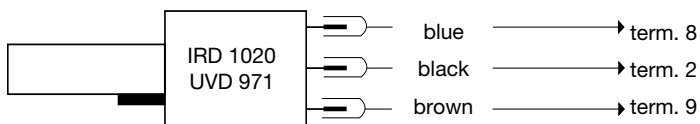
ts Safety time

tv2 Delay terminal 6/C

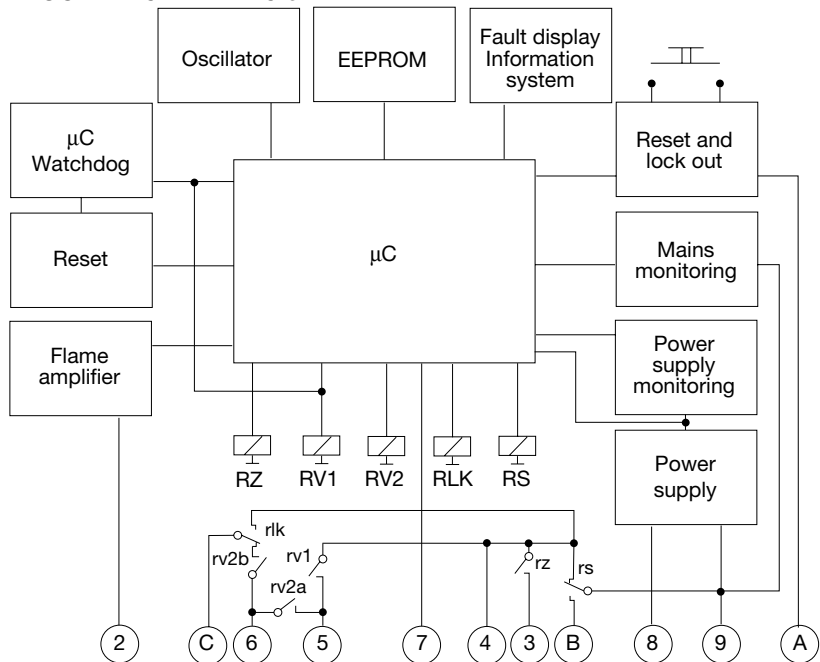
WITHOUT AIR DAMPER MOTOR



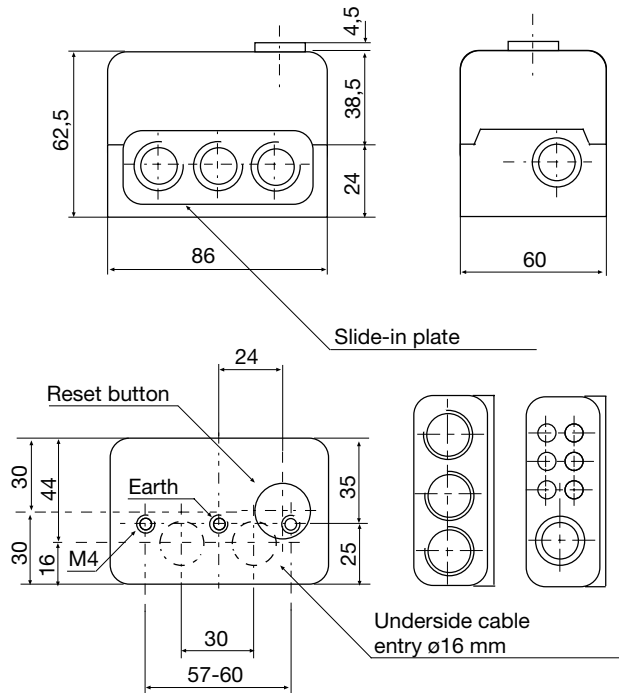
IRD- OR UVD CONNECTION



BLOCK DIAGRAM DMG 972

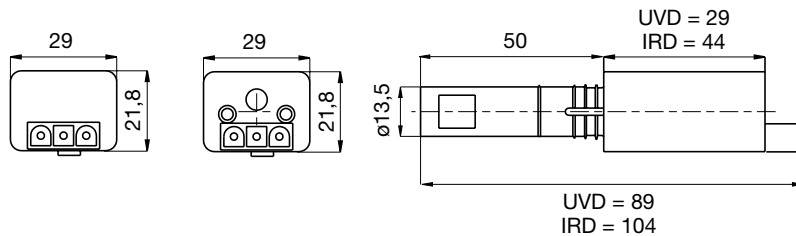


DMG 972 AND SOCKET

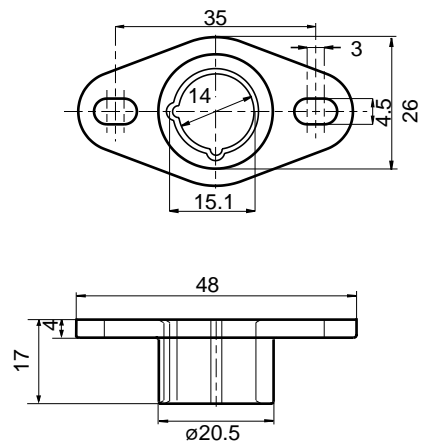


UVD 971

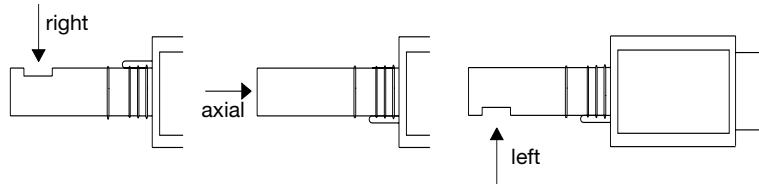
IRD 1020



HOLDER M 93 FOR IRD



VARIATION IRD



ORDERING INFORMATION

| ITEM | DESIGNATION | ITEM NO. |
|------------------|---|----------|
| Control box | DMG 972 Mod. 01 | 032001 |
| Socket | Wiring base S98 12-pin | 75310 |
| Insert plate | PG-Plate | 70502 |
| optional | Cable entry plate | 70501 |
| Flame detector | IRD 1020 end-on | 16522 |
| Flame detector | IRD 1020 left | 16523 |
| Flame detector | IRD 1020 right | 16521 |
| optional | UVD 971 | 16722 |
| Support for IRD | Holder M93 for IRD 1020 | 59093 |
| Support for UVD | Holder M74 for UVD | 59074 |
| Connection cable | Plug type, 3 core cable, 0.6 m with tag wire ends | 7236001 |

The above ordering information refers to the standard version.
Special versions are also included in our product range.

Specifications subject to change without notice